

030-00109



Pin 1

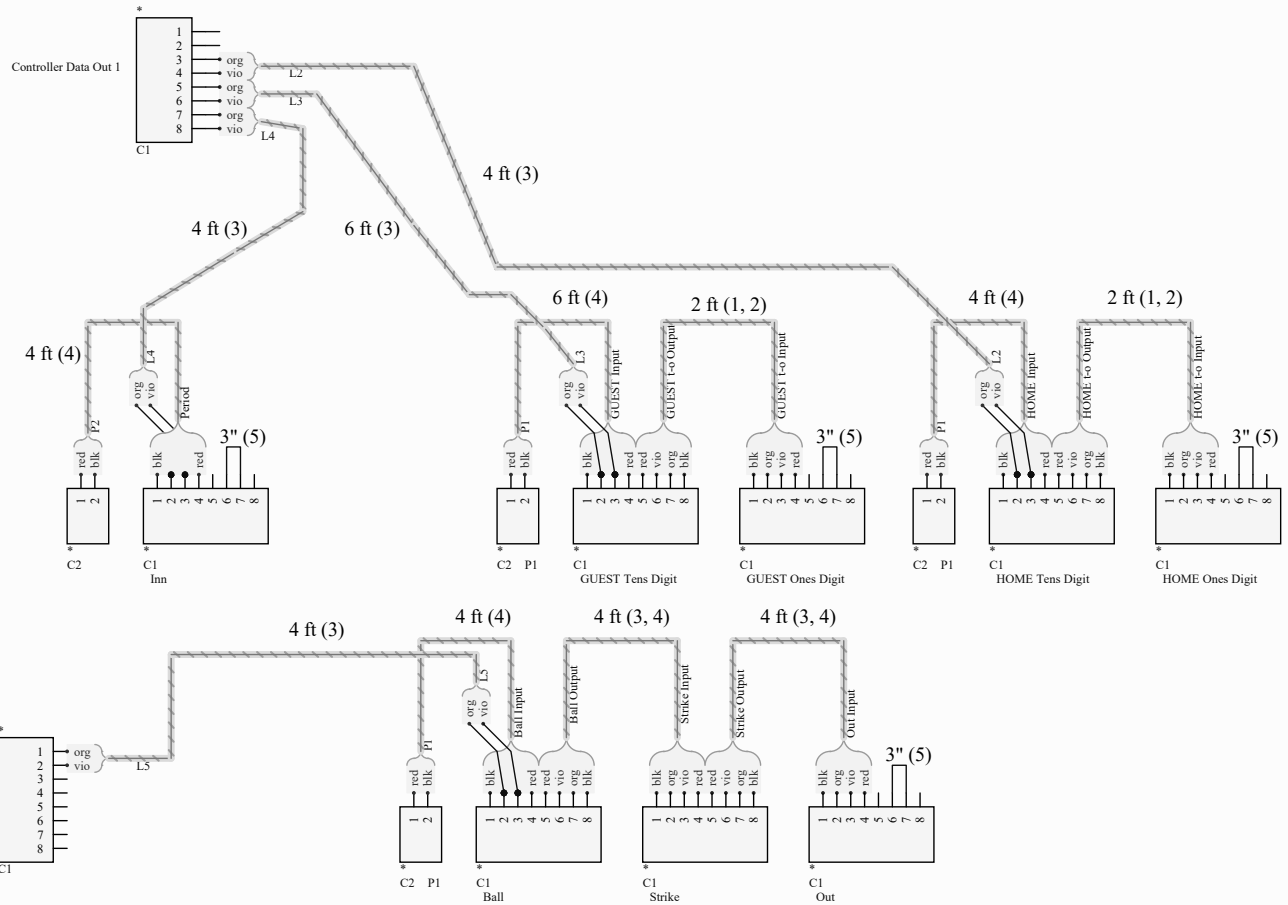
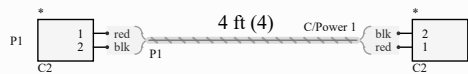
030-00104



Pin 1

QTY	Ref	Item Number	Description
4'	1	025-00046	WIRE,PVC 18AWG 300V TWSTD,O/P
4'	2	025-00099	WIRE,PVC 18AWG 300V TWSTD,
26'	3	025-00057	WIRE,TWSTD,18AWG,O/V BLK/JACKET
30'	4	W100134P	CABLE,18/2 R/B GRAY JKT 105C
10	C1	030-00109	Plug, 8PIN, 5.08mm,BLK/ORG
5	C2	030-00104	Plug, 2PIN, 2.08mm,BLK/ORG
1	P1	062-00189	PWRSPLY,24V,96W
L33	5	800118	WIRE,PVC 18AWG 300VSTR VIOLET
76		030-00112	BULK,FERRULE,.75/.14MM WHT

Cable specification [length (cable reference)]



Revision Control  
A. Correct Label for Ball, Strike, and Out

- Instructions
1. Cut the cable (refer to the reference number) to length. Label each end.
  2. Crimp ferrule, 030-00112 to the ends of each cable wire.
  3. Insert wire into connectors (C1, C2, C3) according to pinout.

Title BA9066 Harnesses

**ALL AMERICAN**  
SCOREBOARDS®